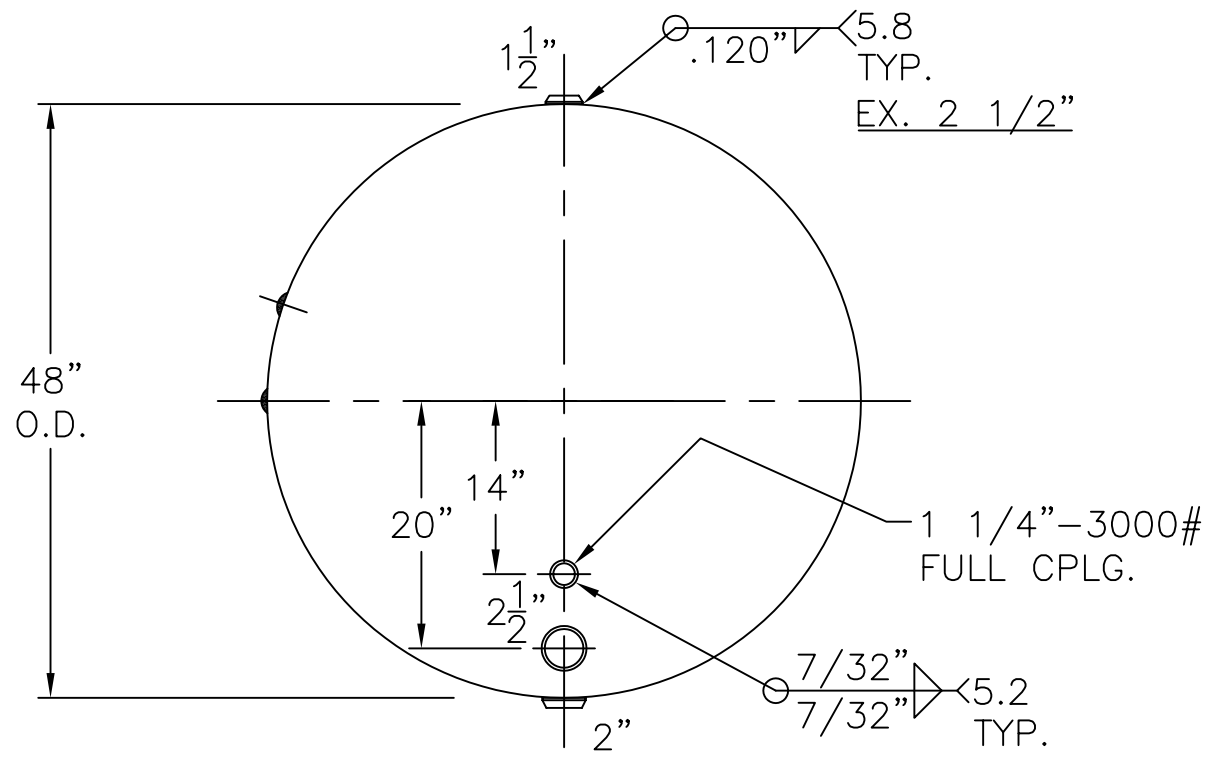


3) SHELL: 4-22-04 PROOF TEST.
2) HYDRO @ 240 PSIG. MIN.
NOTE: 1) SHIP LOOSE W/ (3) 1 5/16" x 48" LG. FLEX. MAG. ANODES.



END VIEW W/O SUPPORTS

HEADS	.245" SA-455 2:1 S.E.	GS-48-1080-H	REV. 9-17-04
	(.230" MIN.) JOGGLE		DATE: 5-21-90
SHELL	.200" SA-455	FOR: HANSON STANDARD HORIZ. HOT WATER TANK	
		SURFACE AREA = 162.1 SQ. FT. INSIDE: GLASS LINED	
M.A.W.P. 160 PSIG. @ 210 °F		OUTSIDE: PRIME	
ASME SECTION IV 2001 ADD. 2003		CAD-"B" UNDER "STD"-SERIES	
X-RAY: RT-NO/H.L.W.		BY: E.S.	SCALE: 3/4"=12"
GALLONS: 1080 WT. 1608 LBS.		ROY E. HANSON JR. MFG.	
SERIAL NO.		1924 COMPTON AVE. LOS ANGELES, CA 90011	