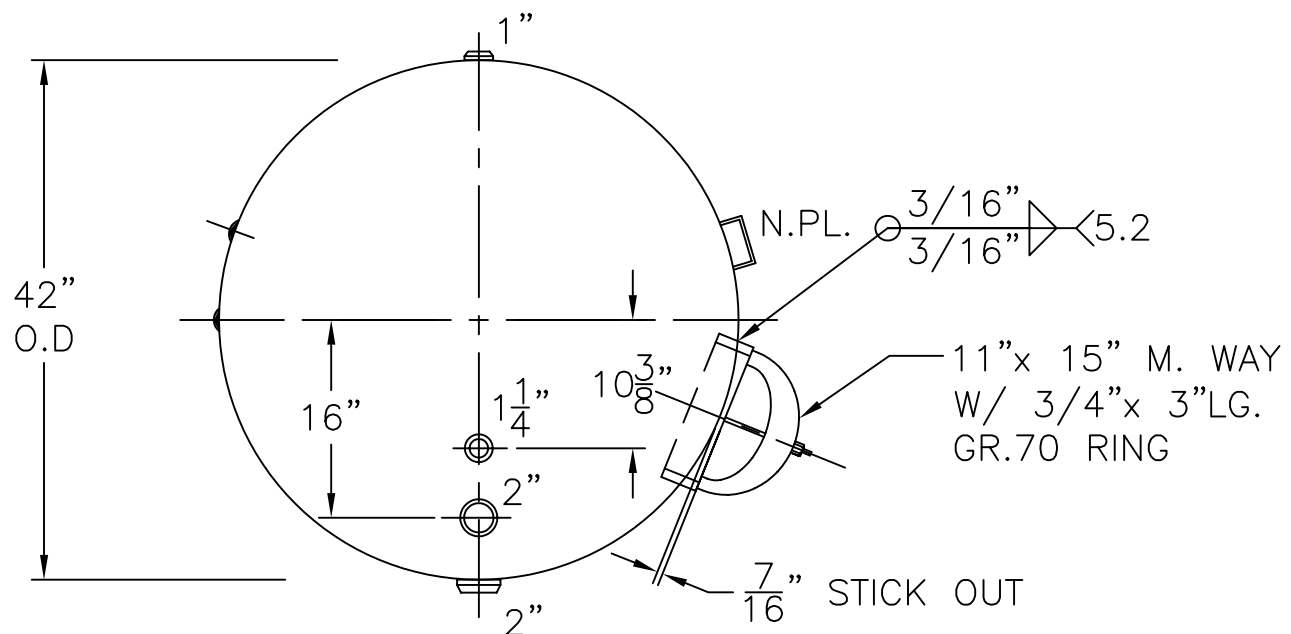


SOLAR FEET PER:  
 S-42-660-H-1C

- 3) SHIP LOOSE W/(2) 1 5/16" x 36" LG. RIGID MAG. ANODES.
- 2) 4-1-04 PROOF TEST.
- NOTE: 1) HYDRO @ 240 PSIG.



VIEW W/OUT SUPT'S

HEADS	.205" SA-455 2:1 S.E.	GS-42-660-H	REV. 9-16-04
	JOGGLE		DATE: 5-18-90
SHELL	.175" SA-414-G	FOR: HANSON STANDARD	
		HORIZ. HOT WATER TANK	
		SURFACE AREA = 115.8 SQ. FT.	
M.A.W.P. 160 PSIG. @ 210 °F		INSIDE: GLASS LINED	
		OUTSIDE: PRIME	
ASME. SECTION IV 2001 ADD 2003		CAD "B" SIZE UNDER "STD"-SERIES	
X-RAY: RT-NO / H.L.W.		BY: J.G.	SCALE: 3/4"=12"
GALLONS: 660 WT. 1063 LBS.		<b>ROY E. HANSON JR. MFG.</b>	
SERIAL NO.		1924 COMPTON AVE.	
N.B.		LOS ANGELES, CA 90011	